

## WHIPPER MOTOR SERIES 209 - 54/25



SERIES 209 - 54/25 - 117VAC/UL  
SERIES 209 - 54/25 - 230VAC

Whipper Motors Series 209-54/25, designed as a cost effective product to satisfy all market requirements for optimum ingredient mixing. These efficient, high quality motors guarantee compact dimensions and high reliability.

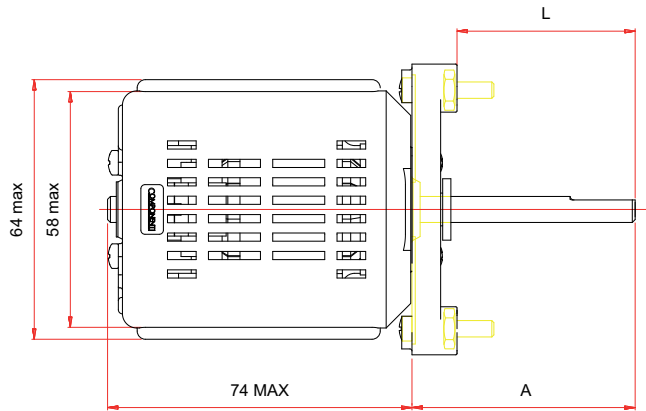
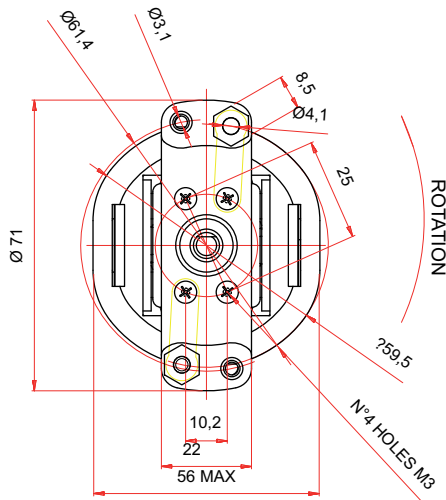
### TYPICAL APPLICATIONS

- Hot beverage machines
- Electro-Mechanical Apparatus

### CHARACTERISTICS

- Extremely compact, high performances
- Self-lubricated sintered bearings
- Shafts made of stainless steel SUS/AISI 303-304 suitable for food contact; available with  $\varnothing 6$ - $\varnothing 6.35$ mm
- Fixing bracket made of PA66 glass reinforced
- Counter clockwise rotation
- Available motor powers: 117VAC/UL - 230VAC
- Thermal protector: 100° C
- Insulating motor: Class. A
- Personalized version on request
- Personalized solutions for wiring harnesses, terminals and connectors
- Designed also to be mounted on our Series Quick Fit Mixing System

## WHIPPER MOTOR SERIES 209 - 54/25



DIMENSIONS (mm)

SERIES 209 - 54/25 - 117VAC/UL  
 SERIES 209 - 54/25 - 230VAC

L	A	Ø
31	42	6
38	49	6
43,5	54,5	6,35

Other shafts available on request

## PERFORMANCES

NOMINAL VOLTAGE 117 VAC-60HZ / 230VAC 50HZ	* RPM X 1000
117 VAC-60Hz	11,5
230 VAC-50Hz	11,5
230 VAC-50Hz	15
Others Rpm available on request	

\* The Rpm values refer to output torque of approximately 120 gcm

## TECNICAL DATA

- Ambient Temperature 4 ÷ 60 °C
- Compliant with RoHS 2002/95/CE
- Available versions UL and NSF approved on request