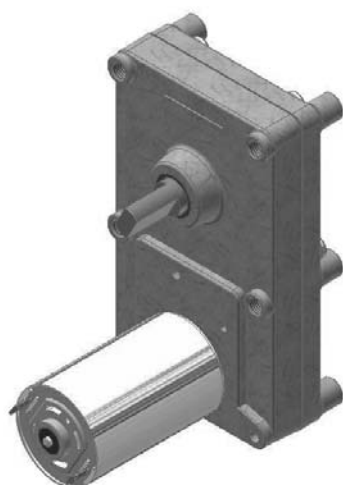


## GEARMOTOR SERIES 264



**SERIES 264**  
12/24VDC



**SERIES 264**  
117/230 VAC

Series 264 represents the most robust Gearmotor of our range. It has been designed for all those applications where the highest torque loads and lowest speeds are required. High quality engineering ensures a long life.

### TYPICAL APPLICATIONS

- Hot beverage machines.
- In Cup Machines.
- Electro-Mechanical Apparatus.

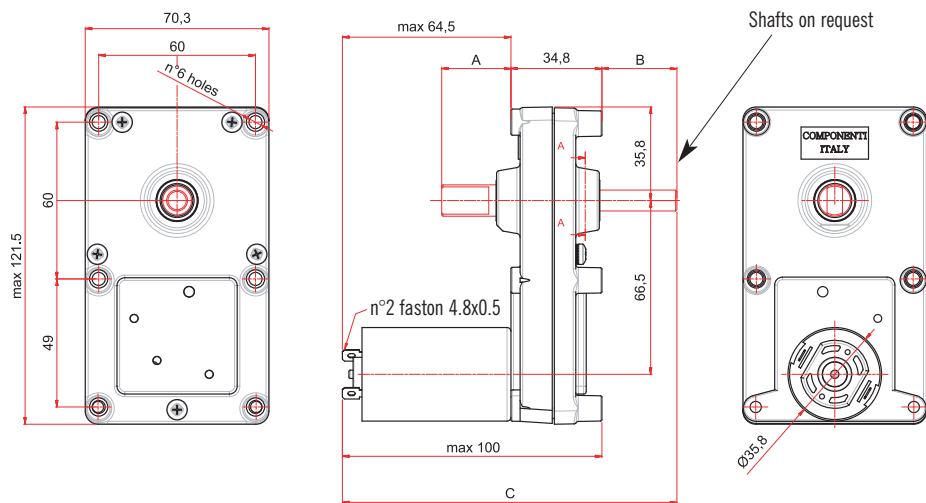
### CHARACTERISTICS

- The gears within the gearbox are all made of sintered steel and plastic POM.
- The gearbox casing is made of aluminium alloy.
- Output shaft is made of steel and can be personalized on request.
- Available motor powers: 12/24 VDC - 117/230 VAC.
- Thermal protector 130°C for AC motors.
- Insulation motor class B for AC motors.
- Personalized solutions for wiring harnesses, terminals and connectors.
- Optional: possibility to insert a cork brake and mechanical brake on AC motors.

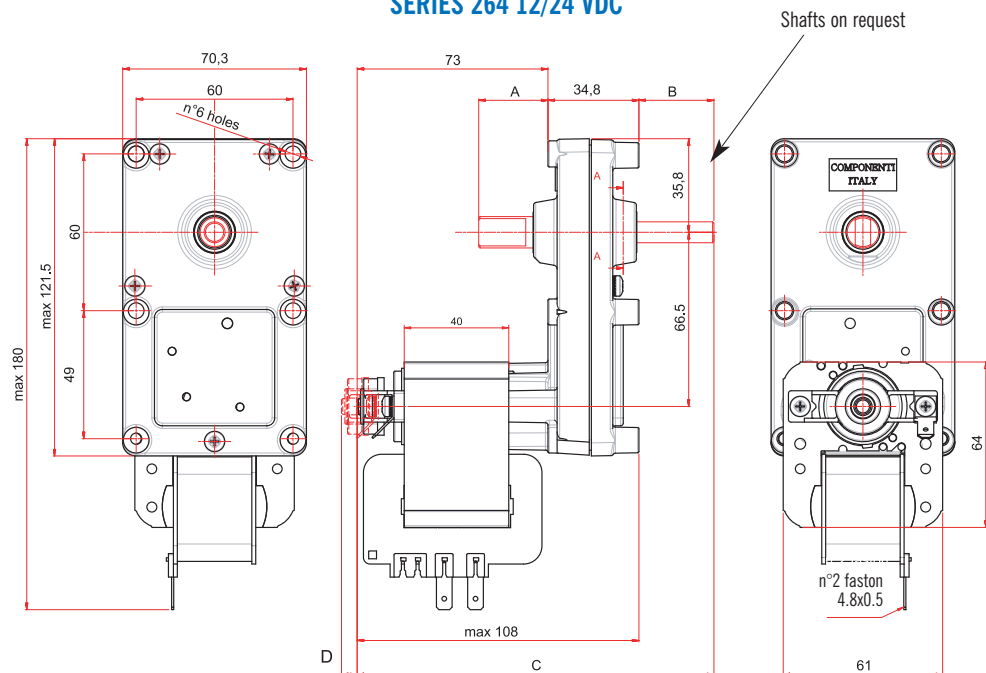
PERFORMANCES SERIES 264 - 12/24 VDC	
SPEED RANGE:	4,2 - 9,9 RPM
NO LOAD ABSORPTION:	0,25 A
OUTPUT TORQUE:	UP TO 300 Kgcm, DEPENDING ON SPEED.

PERFORMANCES SERIES 264 - 117VAC-60Hz - 230VAC-50Hz	
SPEED RANGE:	4,2 - 10,2, DEPENDING ON VOLTAGE.
NO LOAD ABSORPTION:	1,2 A (117VAC-60HZ) - 0,85 A (230VAC-50HZ)
OUTPUT TORQUE:	UP TO 250 Kgcm, DEPENDING ON SPEED AND VOLTAGE.

## GEARMOTOR SERIES 264



**SERIES 264 12/24 VDC**



**SERIES 264 117/230 VAC**

N° 6 mounting holes - thread to suit customers requirements

The A, B and C values depend on the length shaft, and upon request.  
The D value depends on the optional motor brake.

### TECHNICAL DATA

- Ambient Temperature 4 - 60 °C.
- Compliant with RoHS Directive 2011/65/EU

COMPONENTI VENDING S.P.A. RESERVE RIGHT TO MODIFY THE PRESENT PRODUCT EVERY MOMENT AND WITHOUT NOTICE.

2 OF 2

Componenti Vending S.p.A. Via E. Mattei, snc - 27022 Casorate Primo (PV) - Italy

■ telephone +39.02.908.49.637 ■ fax +39.02.908.49.642

■ info@compo.it ■ www.compo.it

**COMPANY WITH  
QUALITY SYSTEM  
CERTIFIED BY DNV GL  
= ISO 9001 =**