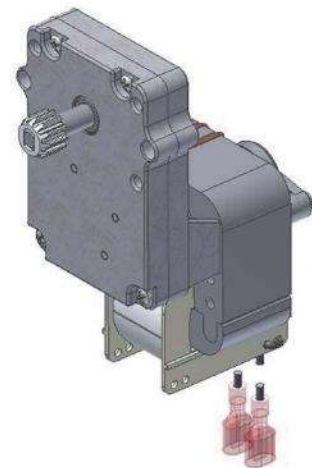


GEARMOTORS SERIES 265 / 269



SERIES 265 - 24VDC

**SERIES 269 - 117VAC
SERIES 269 - 230VAC**

The 265 / 269 series Gearmotors are distinguished by a resistant aluminum gearbox casing. They have been designed for applications where greater torque loads are requested. The 265 series utilizes DC motors whilst the 269 series uses AC motors.

TYPICAL APPLICATIONS

- Hot beverage Machines
- In Cup Machines
- Electro-Mechanical Apparatus
- Peristaltic Pumps

CHARACTERISTICS

- The gears within the gearbox are made of Sintered steel and POM.
- The gearbox casing is made of Aluminum.
- The output shaft is made of steel onto which is fitted a PA66 glass reinforced pinion.
- Available in "U" or "S" configuration and also "C" only on the 269 series.
- Possibility to produce different shaft lengths on request + passed through hole.
- Personalized solutions for wiring harnesses, terminals and connectors.
- Available motor powers: 12/24VDC – 230VAC – 117VAC
- Encoders available on request for DC motors.
- Insulation motor class B for AC motors.
- Thermal protector 130°C for AC motors.
- Optional: possibility to insert a cork brake or mechanical brake on AC motors.

SERIES 265: 12/24 VDC

SERIES 269: 117 VAC - 230 VAC - Two Stators available

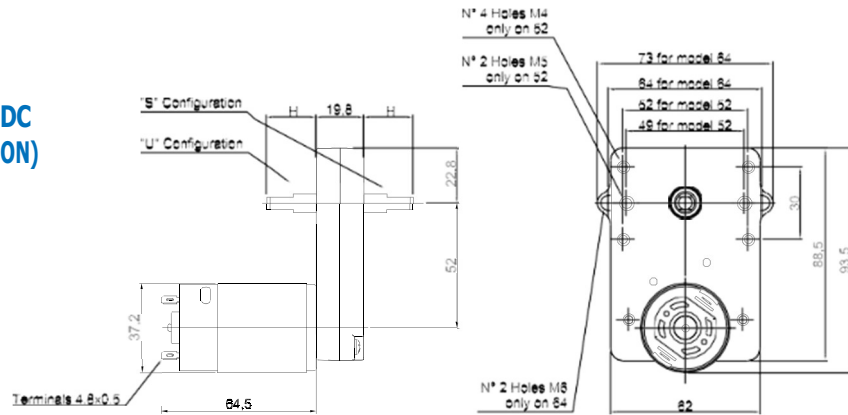
P = 30mm

P = 40mm

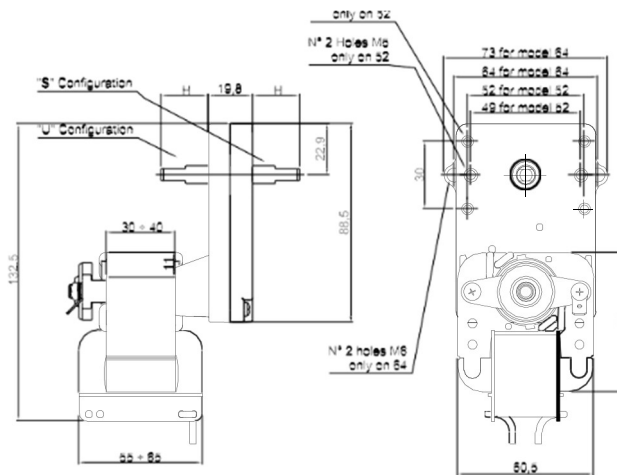
Others onrequest.

GEARMOTORS SERIES 265 / 269

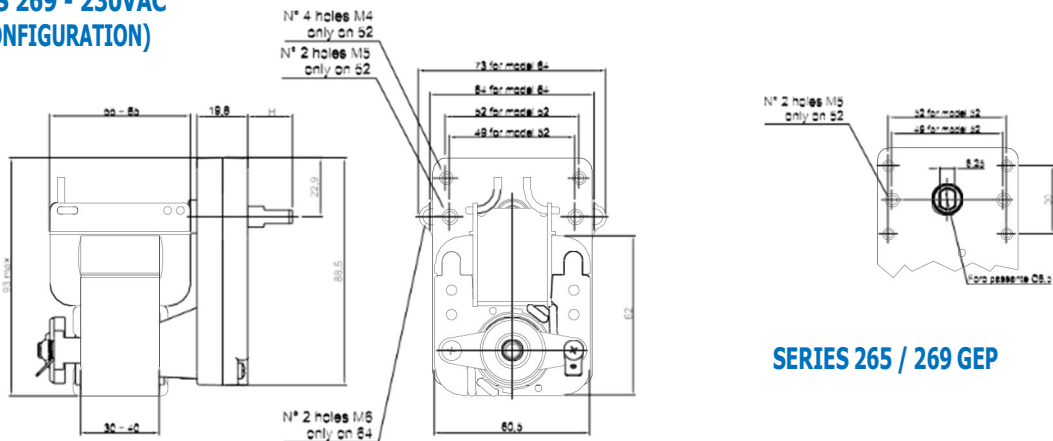
SERIES 265 - 12/24 VDC ("U" / "S" CONFIGURATION)



SERIES 269 - 117VAC SERIES 269 - 230VAC ("U" / "S" CONFIGURATION)



SERIES 269 - 117VAC SERIES 269 - 230VAC ("C" CONFIGURATION)



SERIES 265 / 269 GEP

N° Scheda CMR0149D - 28/11/2017

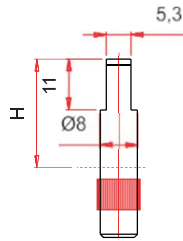
COMPONENTI VENDING S.P.A RESERVE RIGHT TO MODIFY THE PRESENT PRODUCT EVERY MOMENT AND WITHOUT NOTICE.

2 OF 3

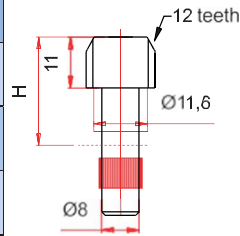
GEARMOTORS SERIES 265 / 269

SHAFTS AVAILABLE

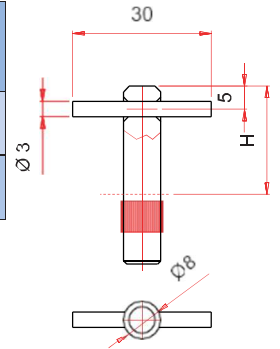
STD SHAFTS (H)
14
21
25
39



STD SHAFTS FOR CANISTERS (H)
14
21
25
39
43



STD SHAFTS WITH SPRING PIN (H)
14
22



Max torque on plastic pinion 60 Kgcm.

Other shafts on request

PERFORMANCES

Series 265 - 24 VDC

SPEED RANGE	25 - 650 RPM
OUTPUT TORQUE	UP TO 80 KGCM, DEPENDING ON SPEED AND VOLTAGE

Series 269 - 117VAC-60Hz - 230VAC-50Hz - (P=30)

SPEED RANGE	19 - 260 RPM, DEPENDING ON VOLTAGE
OUTPUT TORQUE	UP TO 60 KGCM, DEPENDING ON RPM AND VOLTAGE.

Series 269 - 117VAC-60Hz - 230VAC-50Hz - (P=40) on request

Other versions on request

TECHNICAL DATA

- Ambient Temperature 4 ÷ 60 °C
- Compliant with RoHS directive 2011/65/EU