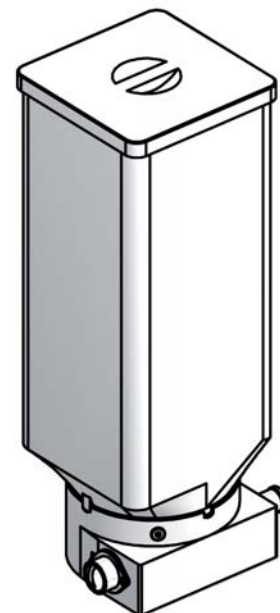
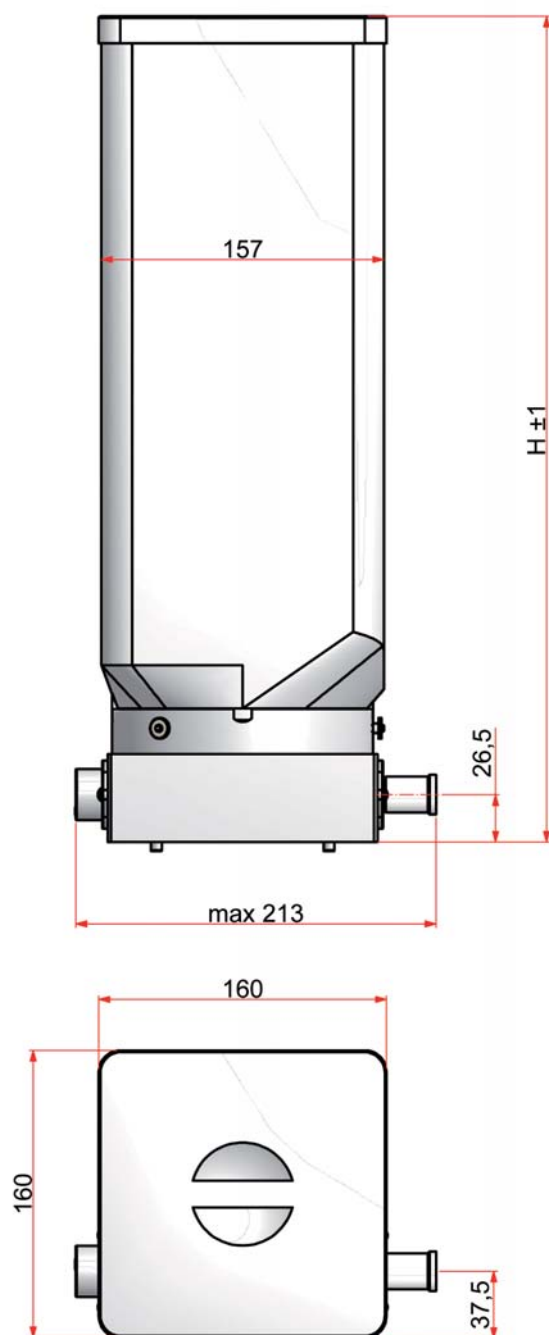
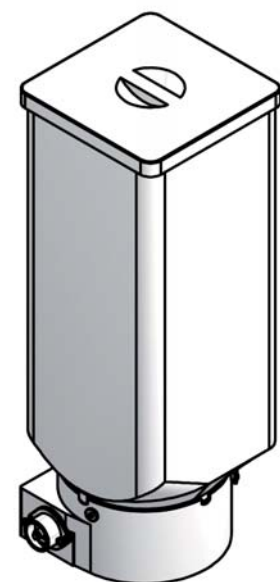


## INGREDIENT CANISTER



RH (DX)



LH (SX)

H=Any up to 460mm

**SERIES 219**

COMPONENTI VENDING S.P.A. RESERVE RIGHT TO MODIFY THE PRESENT PRODUCT EVERY MOMENT AND WITHOUT NOTICE.

1 OF 1