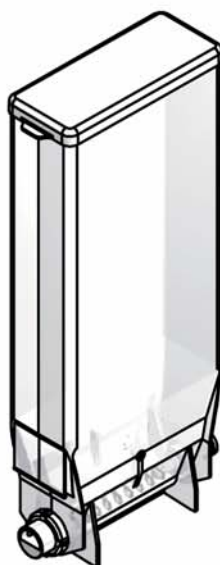
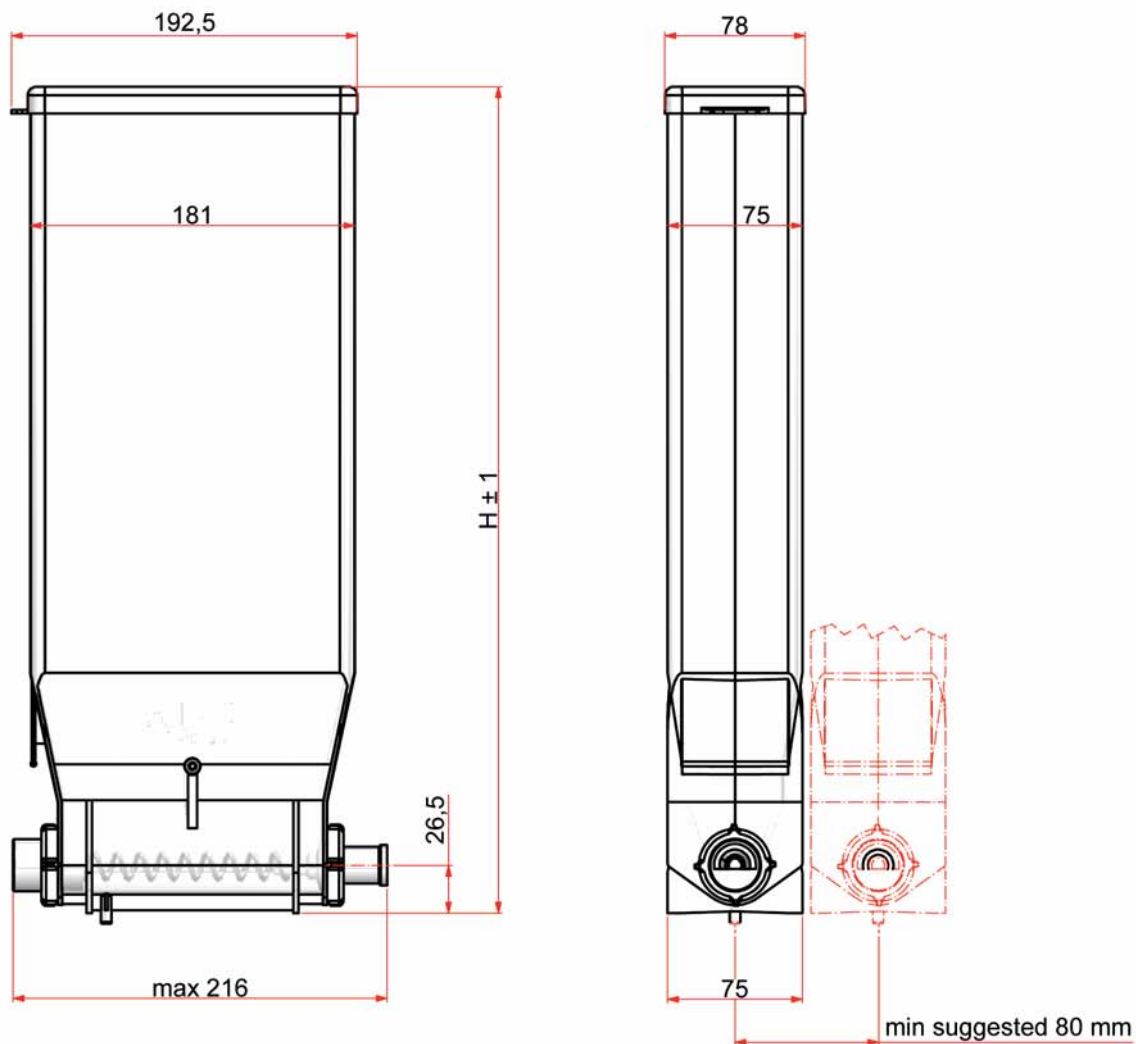


INGREDIENT CANISTER



AVAILABLE IN
H=185
H=250
H=290
H=350
H=460

SERIES 237

COMPONENTI VENDING S.P.A. RESERVE RIGHT TO MODIFY THE PRESENT PRODUCT EVERY MOMENT AND WITHOUT NOTICE. 1 OF 1

Componenti Vending S.p.A. Via E. Mattei, snc - 27022 Casorate Primo (PV) - Italy

■ telephone +39.02.908.49.637 ■ fax +39.02.908.49.642

■ info@compo.it ■ www.compo.it

**COMPANY WITH
QUALITY SYSTEM
CERTIFIED BY DNV GL
= ISO 9001 =**