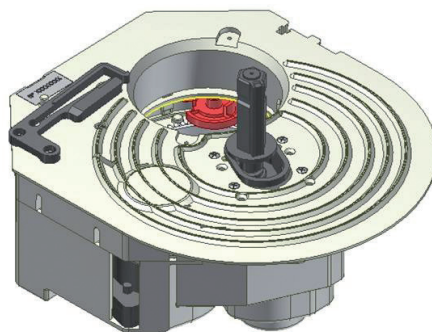


PLASTIC CUP DISPENSER



SERIES 672

Our cup dispensers Series 672 are automatic devices suitable for dispensing plastic or paper cups and in-cup units. They are available in different versions to dispense different cup sizes. This device can be mounted to our Cup turret [Series 286](#).

TYPICAL APPLICATIONS

- Hot and cold beverage vending machines
- In Cup machines
- Food industry

CHARACTERISTICS

SERIES 672

Compact dimensions and versatile mounting possibilities (eight different positions). Easy disassembly and assembly of internal cams to dispense different cup sizes. It is interchangeable with the 670 Series Cup Dispenser.

It can dispense:

- Cups Ø 70
- Cups Ø 73
- Cups Ø 78
- Cups Ø 80
- Cups Ø 73 for In Cup Machines

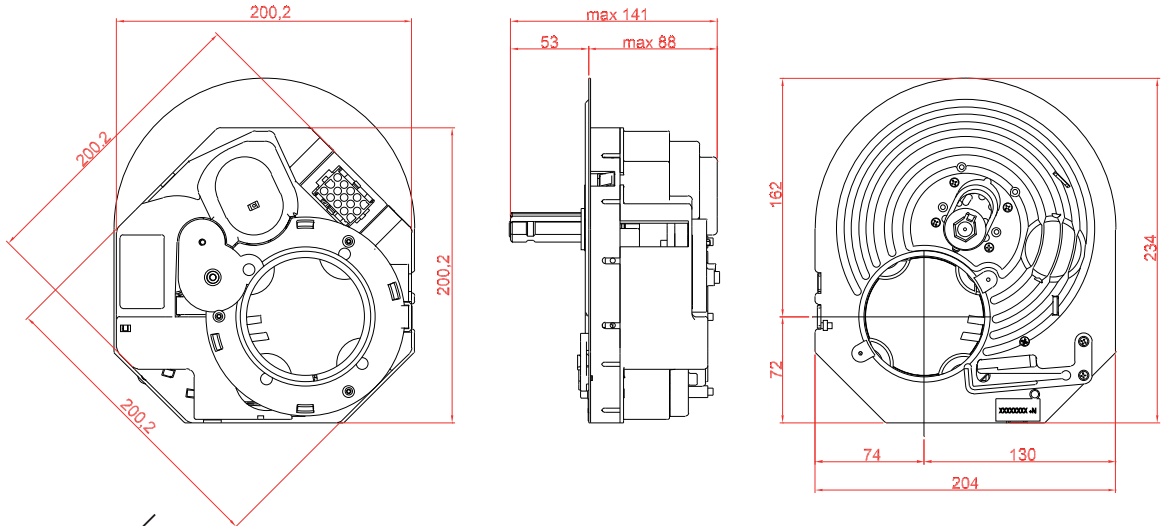
Power supply:

- 24V DC
- 117V AC 50/60 Hz
- 230V AC 50/60 Hz

Cup presence, cup splitter, and cup turret position are detected by micro-switches.

Cup presence is detected by micro-switch or optical sensor.

PLASTIC CUP DISPENSER



SERIES 672

Eight different fixing positions

TECHNICAL DATA

- Ambient temperature 4° to 40°C
- Certified VDE microswitches are available on request
- Compliant with RoHS directive 2011/65/EU