

ADJUSTABLE PLASTIC CUP DISPENSER



SERIES 674 DC



SERIES 674 AC

Our cup dispensers Series 674 are automatic devices suitable for dispensing plastic or paper cups, In-cup units and cup lids.

TYPICAL APPLICATIONS

- Hot and cold beverage vending machine
- In Cup machines
- Food industry

CHARACTERISTICS

SERIES 674

Compact dimensions with easy installation. Manual adjuster allows to dispense cups from $\varnothing 70$ to $\varnothing 100$. Specific cams available to dispense cups with different rim centre heights

It can dispense:

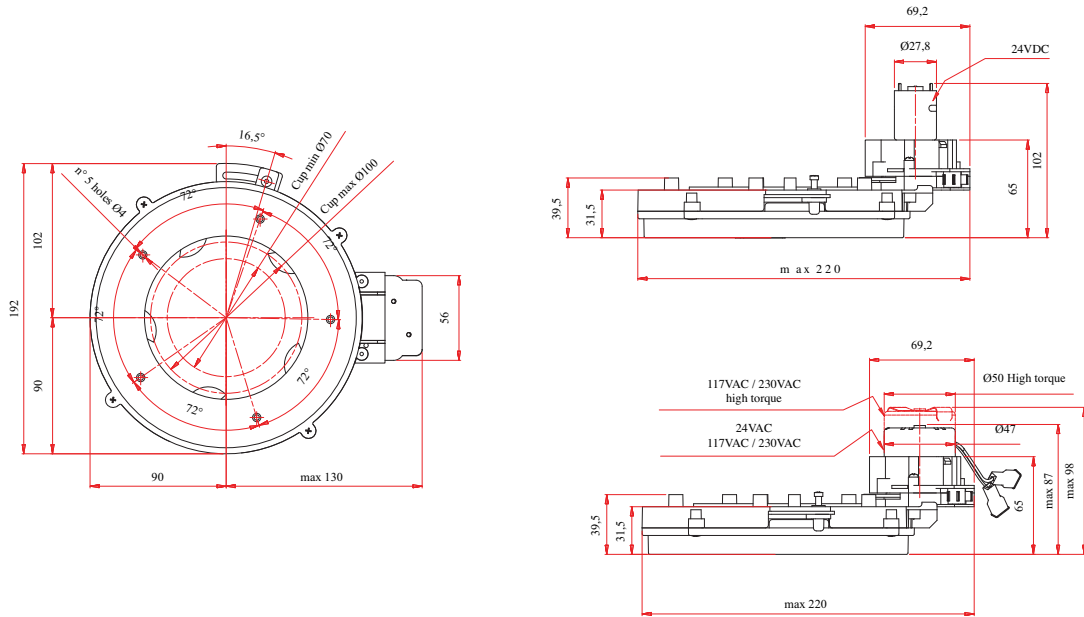
- Cups for In Cup machines
- Paper and plastic cups
- Cup lids

Power supply:

- 24V DC/AC
- 117V AC 50/60 Hz
- 230V AC 50/60 Hz

Cup splitter is detected by micro-switch

ADJUSTABLE PLASTIC CUP DISPENSER



TECHNICAL DATA

- Ambient temperature 4° to 40°C
- Certified VDE microswitches are available on request
- Compliant with RoHS directive 2011/65/EU