

FLAT MILL COFFEE GRINDER



SERIES 256-230VAC



SERIES 256 24VDC



SERIES 256-120VDC-230VDC

Our coffee grinders Series 256 are devices suitable for grinding coffee beans with the possibility of regulating the desired grain (fine or coarse) according to requirements.

The ground coffee dose can be dispensed on a time basis or by means of a volumetric doser [Series 253](#).

All of these coffee grinders can be mounted to containers [Series 29X](#).

TYPICAL APPLICATIONS

- Hot beverage vending machines
- Ground coffee dispensers
- Coffee machines

CHARACTERISTICS

SERIES 256-230VAC

- Grinding output 2,2 grams/sec +/-0.25gr. medium degree ref. CEI EN 60661
- Power supply AC 230V - Horizontal type
- Absorption (work load, for medium grinding): 1.2 A-280W. Starting current: max. 2.7A
- Flat mill Ø64 mm

SERIES 256-24VDC

- Grinding output 1,2 grams/sec +/-0.25gr. medium degree ref. CEI EN 60661
- Power supply DC 24V - Horizontal type
- Absorption (work load, for medium grinding): 3.5A - 130W. Starting current: max. 16A
- Flat mill Ø64 mm

SERIES 256-120VDC

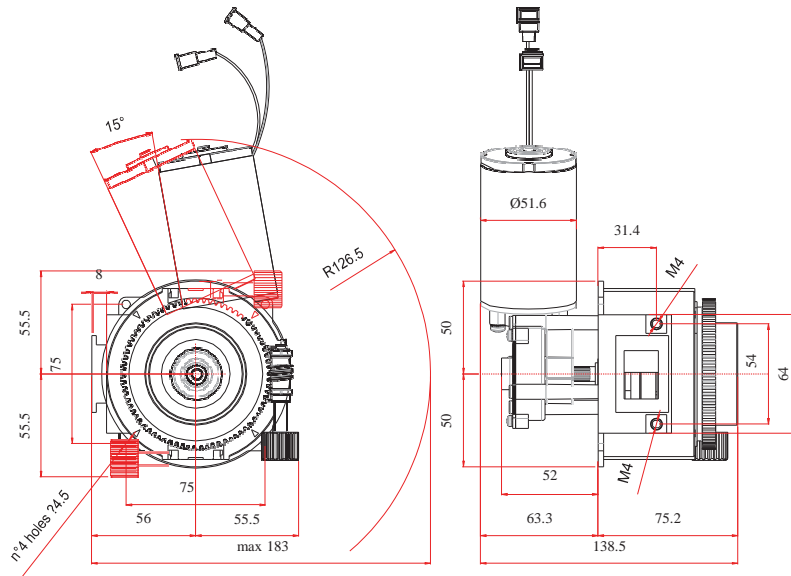
- Grinding output 3,2 grams/sec +/-0.25gr. medium degree ref. CEI EN 60661
- Power supply DC 120V - Horizontal type
- Absorption (work load, for medium grinding): 2A - 240W. Starting current: max. 11A
- Flat mill Ø64 mm

SERIES 256-230VDC

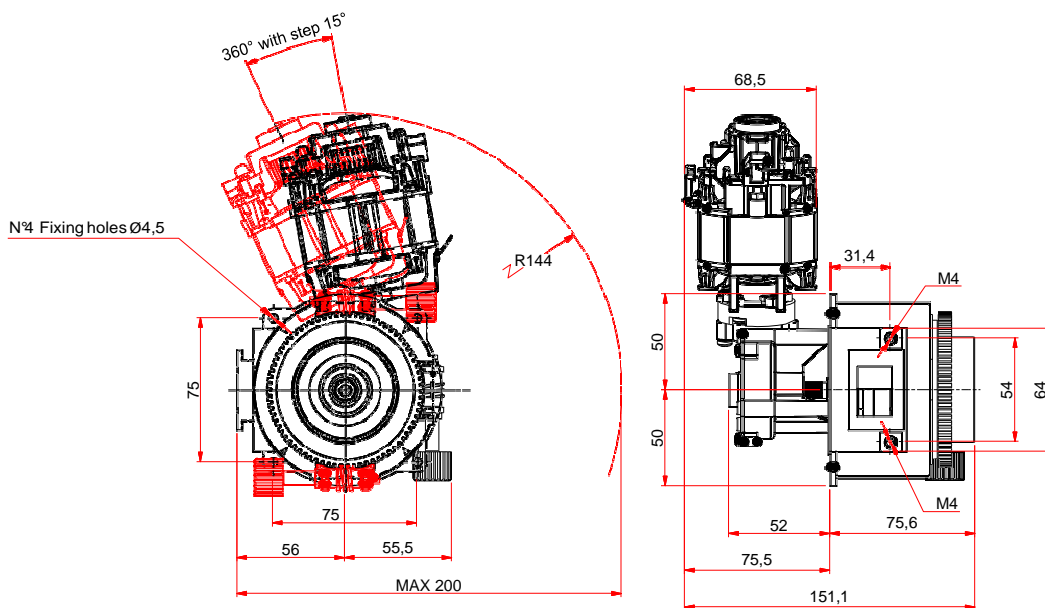
- Grinding output 2,9 grams/sec +/-0.25gr. medium degree ref. CEI EN 60661
- Power supply DC 230V - Horizontal type
- Absorption (work load, for medium grinding): 1.1A - 250W. Starting current: max. 5A
- Flat mill Ø64 mm

FLAT MILL COFFEEGRINDER

DISPENSING DIVISION

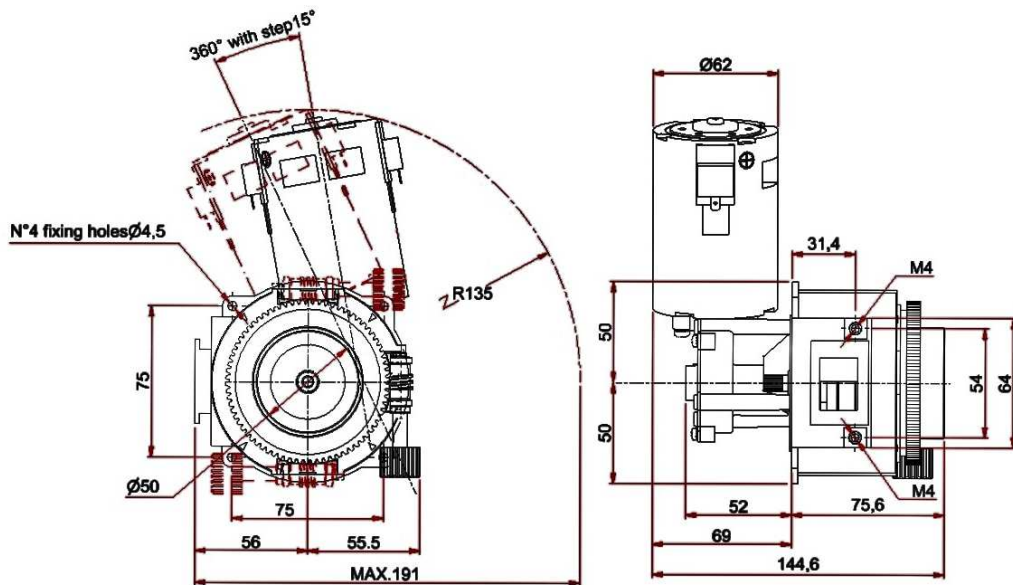


SERIES 256DC24V



SERIES 256AC230V

FLAT MILL COFFEEGRINDER



SERIES 256-120VDC-230VDC

TECHNICAL DATA

- Grain size from fine to coarse
- Ambient temperature 4 to 40°C
- The manufacturing materials used for contact with coffee are suitable for the specific alimentary use
- Compliant with RoHS directive 2011/65/EU
- Three possible positions for the grain size adjustment screw
- The motor position can be fitted every 15° for 360 degrees