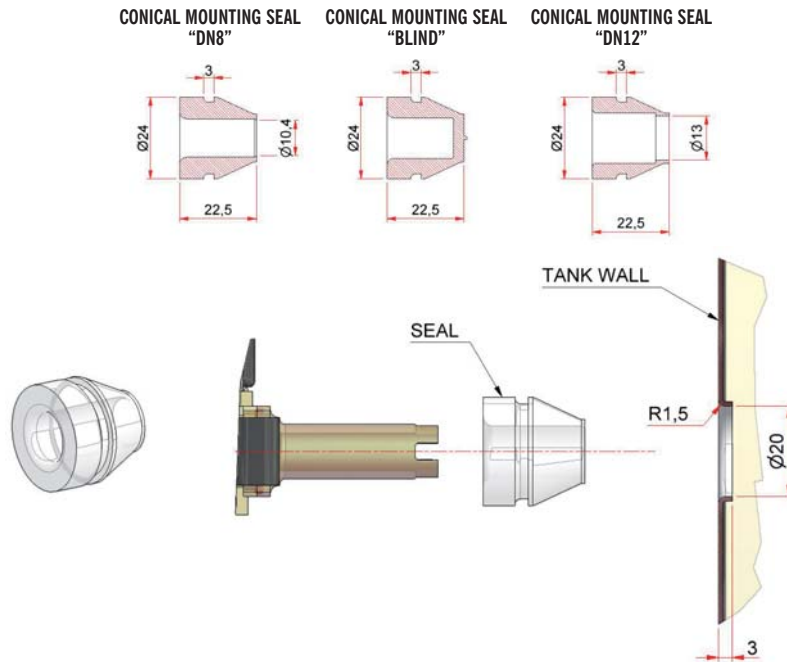
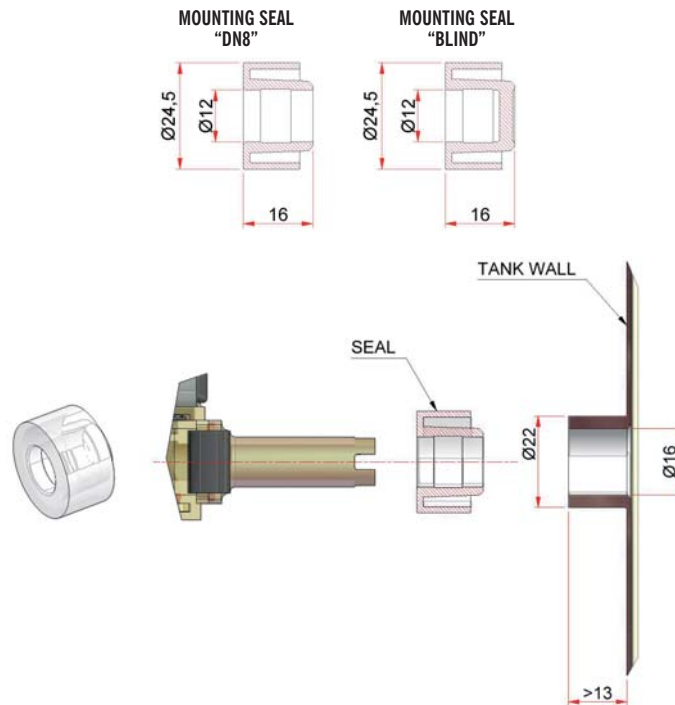


## TANK SEALING



FIRST INSERT THE SEAL INTO THE TANK WALL AND THAN INLET CONNECTION



FIRST INSERT THE SEAL INTO THE TANK WALL AND THAN INLET CONNECTION

### TECHNICAL DATA

- All the seals are NSF approved.
- Compliant with RoHS directive 2011/65/EU

COMPONENTI VENDING S.P.A. RESERVE RIGHT TO MODIFY THE PRESENT PRODUCT EVERY MOMENT AND WITHOUT NOTICE.

1 OF 1

Componenti Vending S.p.A. Via E. Mattei, snc - 27022 Casorate Primo (PV) - Italy

■ telephone +39.02.908.49.637 ■ fax +39.02.908.49.642

■ info@compo.it ■ www.compo.it

**COMPANY WITH  
QUALITY SYSTEM  
CERTIFIED BY DNV GL  
= ISO 9001 =**