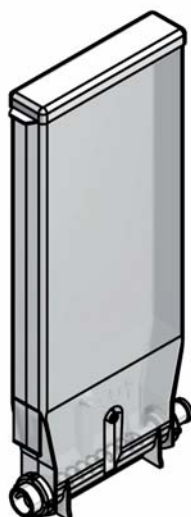
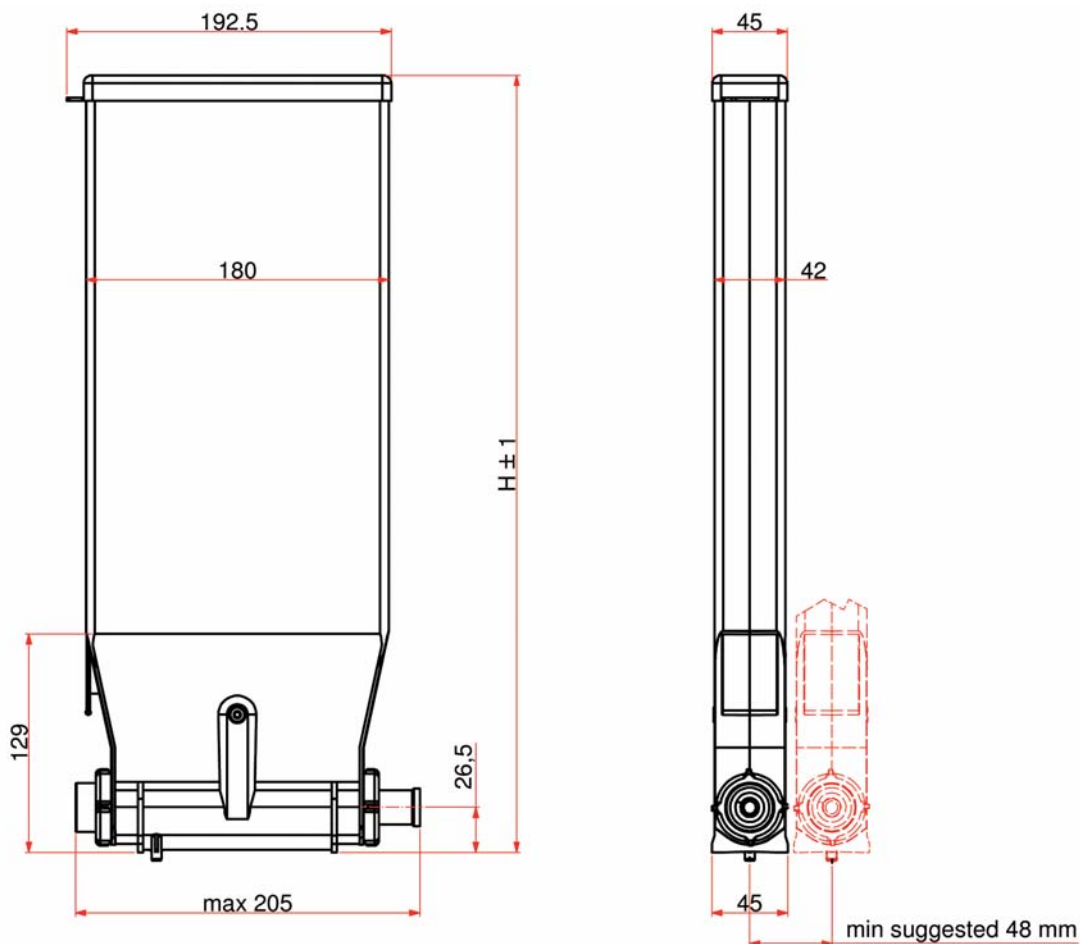


## INGREDIENT CANISTER



H=140mm  
 H=250mm  
 H=460mm

**SERIES 235**