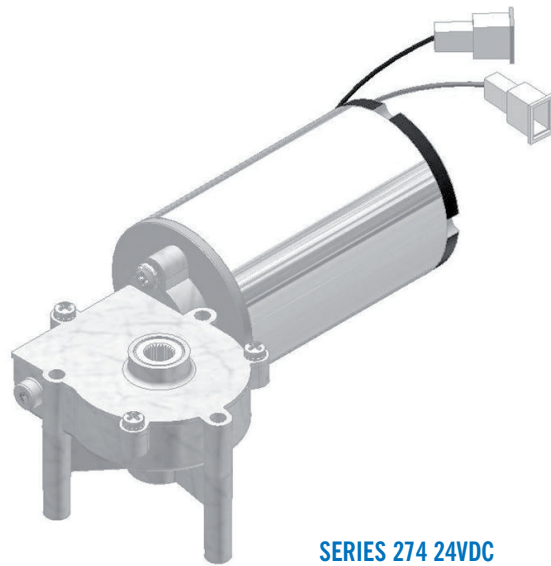


GEARMOTOR SERIES 274



SERIES 274 24VDC

The gearmotors series 274 are distinguished by their angle drive output. They have been designed for applications where greater torque and highest speeds are requested. High quality engineering ensures longer life.

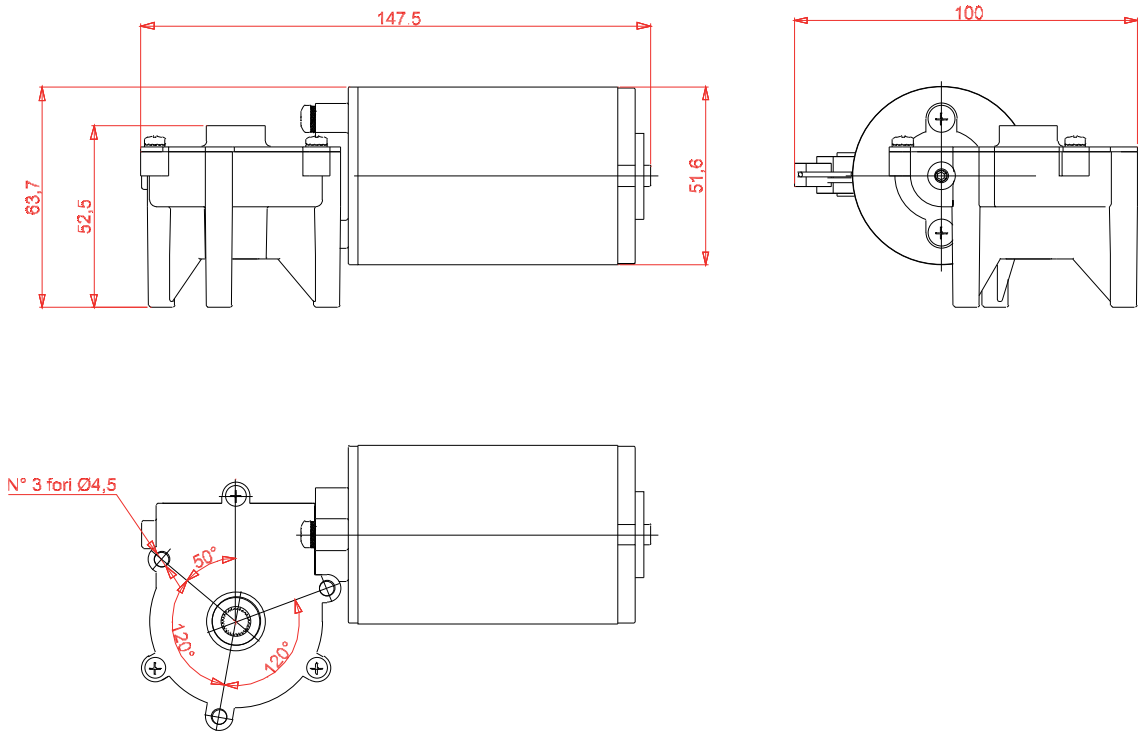
TYPICAL APPLICATIONS

- Electro-Mechanical apparatus
- Industrial applications
- Hot and cold beverage machines
- Peristaltic pumps

CHARACTERISTICS

- The gear within the gearbox is made of POM.
- The gearbox casing is made of ZAMA alloy, the lid is made of carbon steel coated with aluminium-zinc alloy
- 24 VDC power supply.
- Pass through hole.
- Personalized solutions for wiring harnesses, terminals and connectors.

GEARMOTOR SERIES 274



SERIES 274

TECHNICAL DATA

2 different models available:

- 24 VDC, 540 RPM (no load), stall torque 4.5Nm
- 24 VDC, 800 RPM (no load), stall torque 7.5Nm

- Ambient temperature 4 ÷ 60° C
- Compliant with RoHS directive 2002/95/CE