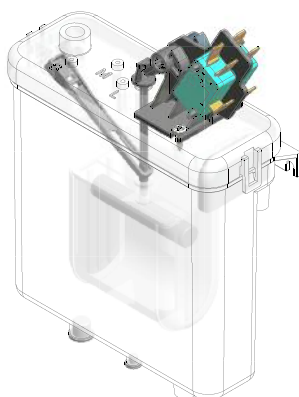
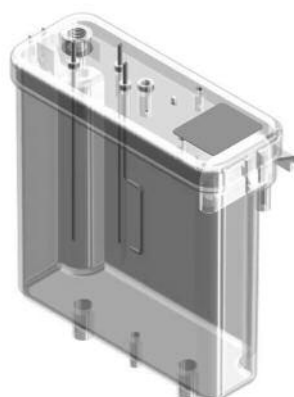


## WATER LEVEL CONTROLLERS



**SERIES 691**



**SERIES 692**

Water level controller is an external device of control and safety, avoiding the use of probes or floats inside water boilers. It is fitted in water supply circuits to prevent water supply variations and are able to control water levels inside boilers. Its can be equipped with a safety stop valve to mechanically close the water supply in case of electrical failure. Water level control is achieved by means of microswitches or resistive probes.

### TYPICAL APPLICATIONS

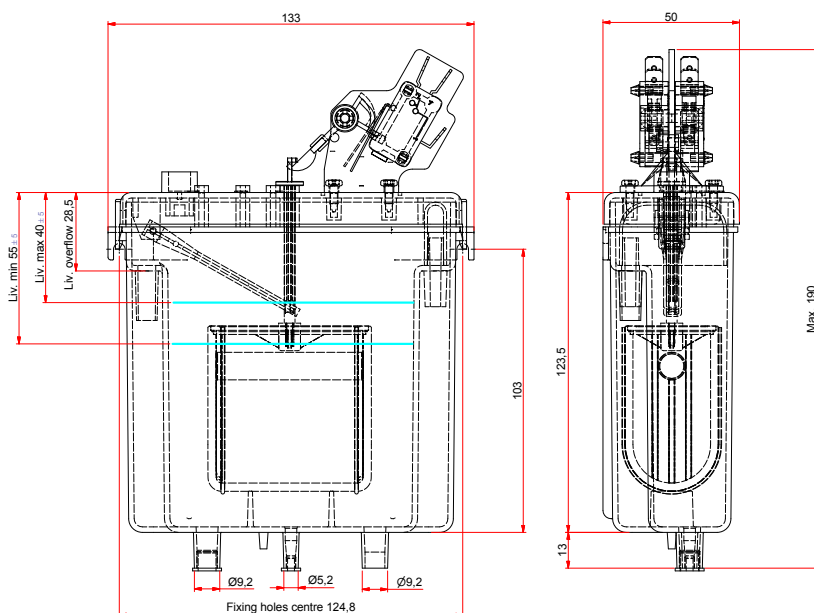
- Beverage vending machines.

### CHARACTERISTICS

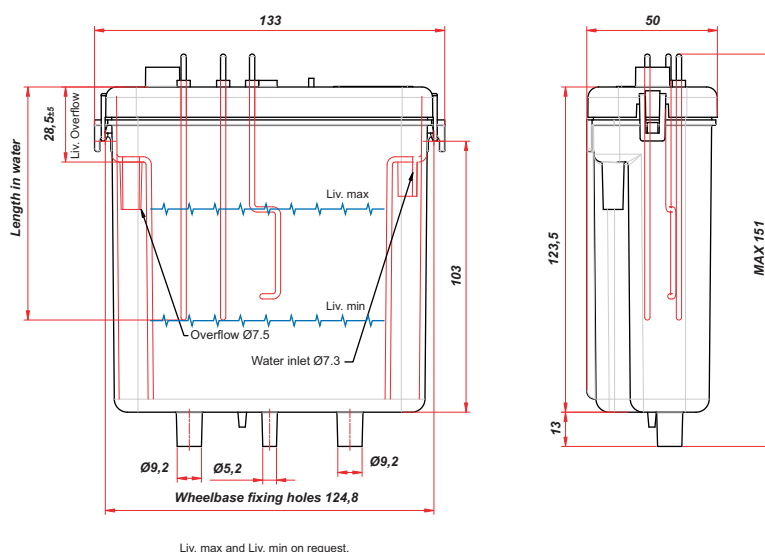
**SERIES 691** with **microswitches** (max 250 V AC - 10A).

**SERIES 692** with **resistive probes**.

## WATER LEVEL CONTROLLERS



**SERIES 691**



**SERIES 692**

	THRESHOLD VALUE
S691	15 mm
S692	ON REQUEST

### TECHNICAL DATA

- 1 Total capacity from 210 to 300cc, depending on version.
- Water temperature 4° to 50°C.
- Open water inlet or with safety plug (series 691) closing water supply in case of electrical failure.
- Materials approved for use with drinking water.
- Certified UL/VDE microswitches are available upon request.
- Compliant with RoHS directive 2011/65/EU