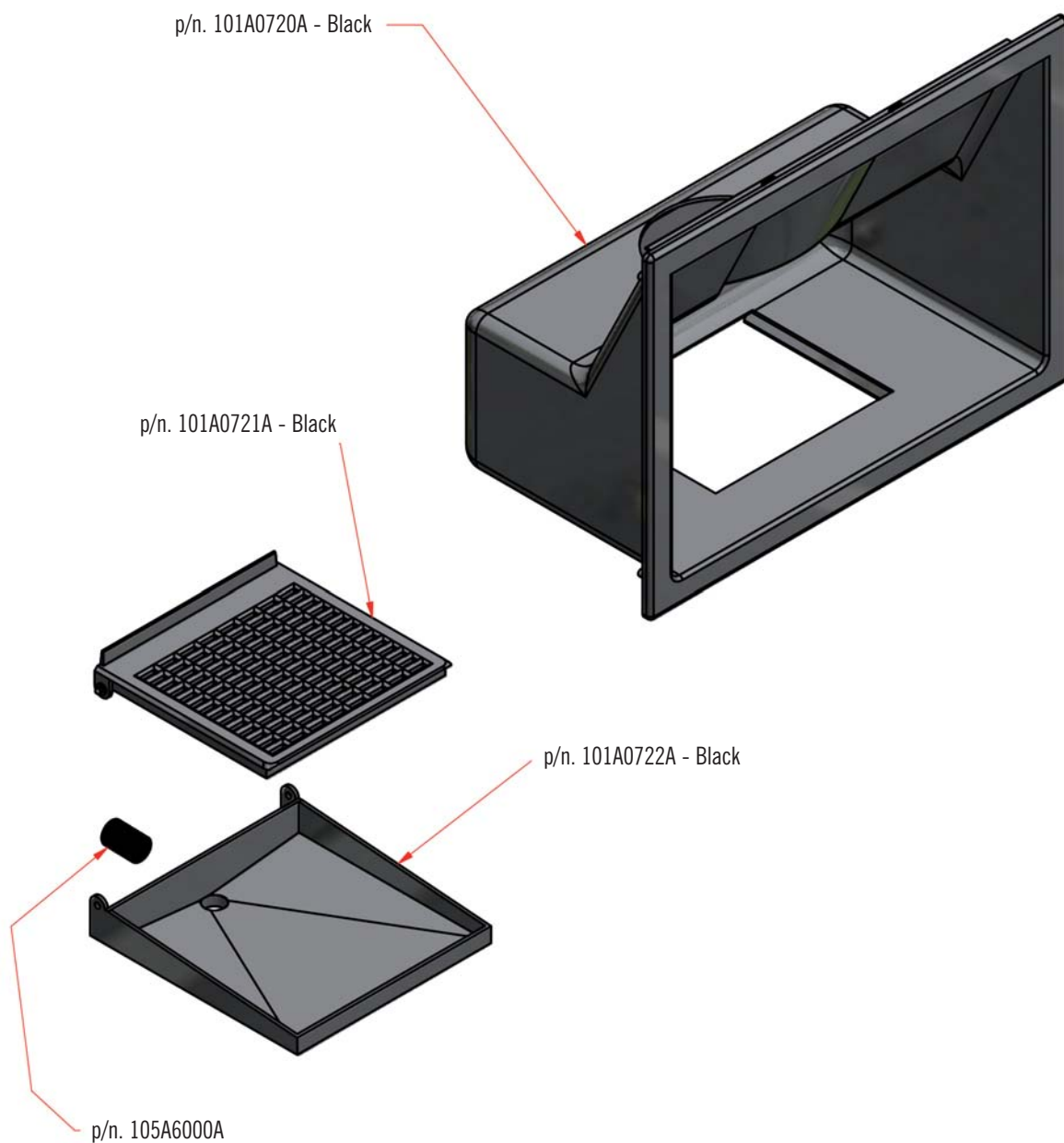


## CUP STATION "LARGE"



## CUP STATION "LARGE"

## OVERALL DIMENSIONS

