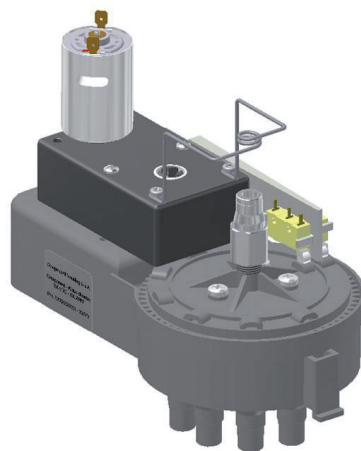


WATER DIVERTER SERIES 61



PATENT
PENDING

SERIES 61

Our water diverter series 61 is a multiple outlet water feeding system that can be easily integrated into any hot & cold beverage machine in the place of solenoid valves. Its highly engineered design considerably reduces typical maintenance due to scale build-up.

TYPICAL APPLICATIONS

- Food industry
- Hot and cold beverage vending machines
- Industrial application

FEATURES

- Up to 6 different water outlets from a single inlet
- Reduced maintenance
- It can be used in both high and gravity pressure hydraulic systems
- Gearmotor driven and controlled by 2 microswitches

CHARACTERISTICS

SERIES 610

- Integrated with a pressure boiler system (max. 10 bars)
- Its max. flow rate is 900 cc/min

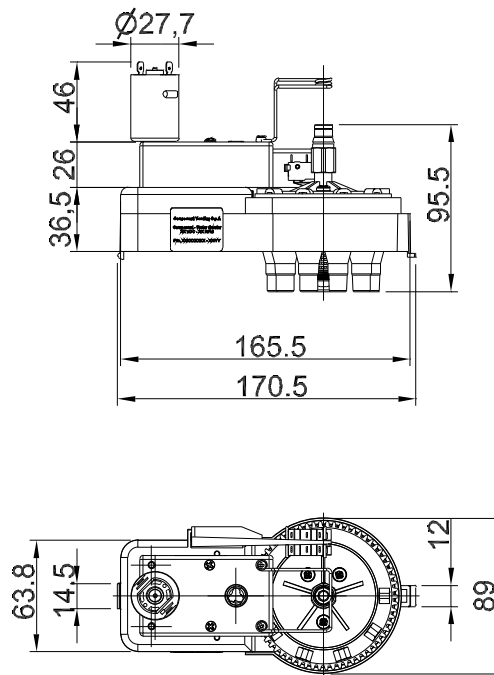
SERIES 611

- Integrated with a gravity boiler system
- Its max. flow rate is 1500cc/min

COMPONENTI VENDING S.P.A. RESERVE RIGHT TO MODIFY THE PRESENT PRODUCT EVERY MOMENT AND WITHOUT NOTICE.

1 OF 2

WATER DIVERTER SERIES 61



TECHNICAL DATA

- Equipped with a safety overflow of 900 cc/min
- Compliant with RoHS directive 2002/95/CE
- Multiple outlet water feeding system
- Can be easily integrated into any hot and cold beverage machine in the place of solenoid Valves
- Its design considerably reduces typical maintenance due to scale build-up
- It can be used in both high and low pressure hydraulic systems