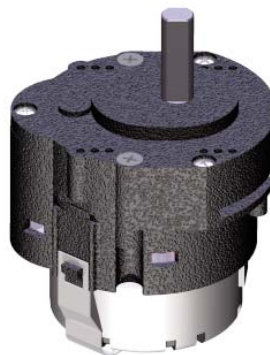


PLASTIC GEARMOTOR SERIES 262-HT



SERIES 262-HT
24V DC



SERIES 262-HT
117/230V AC

TYPICAL APPLICATIONS

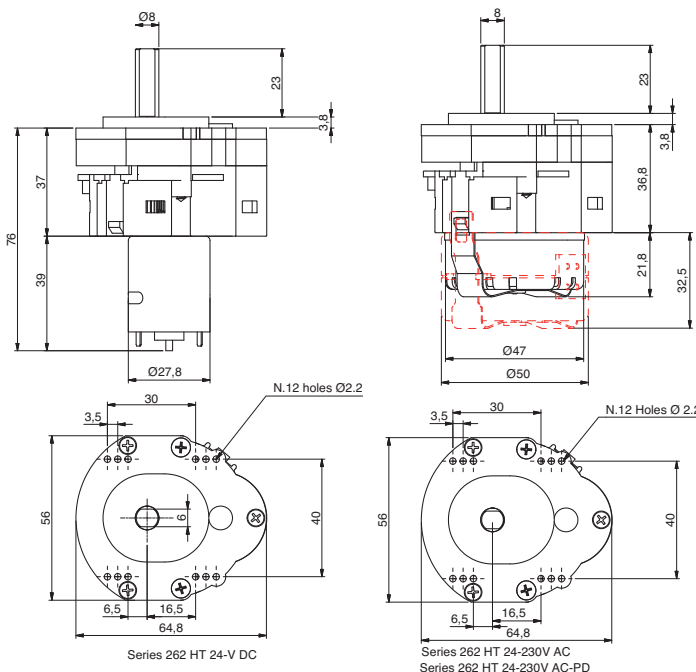
- Hot and cold beverage machines
- In Cup machines
- Electro-mechanical apparatus
- Peristaltic Pumps

CHARACTERISTICS

- The gears within the gearbox, depending on the type, are made of plastic in POM and metal
- The gearbox is produced in either PC or PA glass reinforced and PA glass reinforced version VO
- Supplied with standard output shaft "D" Ø8 x 6 mm
- Other shafts on request

Power supply

- 24V DC/AC
- 230V AC 50 Hz
- 117V AC 60 Hz



SERIES 262-HT
24V DC

SERIES 262-HT
117/230V AC

PLASTIC GEARMOTOR SERIES 262-HT

PERFORMANCE

24V DC

OUTPUT (RPM)	STALL TORQUE (NCM)
1,3	320

230V AC/50HZ OR 117VAC/60HZ

OUTPUT (RPM)	STALL TORQUE (NCM)	MOTOR
3,2	58	SINGLE
3,2	176	DOUBLE
1,6	107	SINGLE
1,6	362	DOUBLE

TECHNICAL DATA

- Ambient temperature 4 - 60 °C
- Compliant with RoHS directive 2011/65/EU