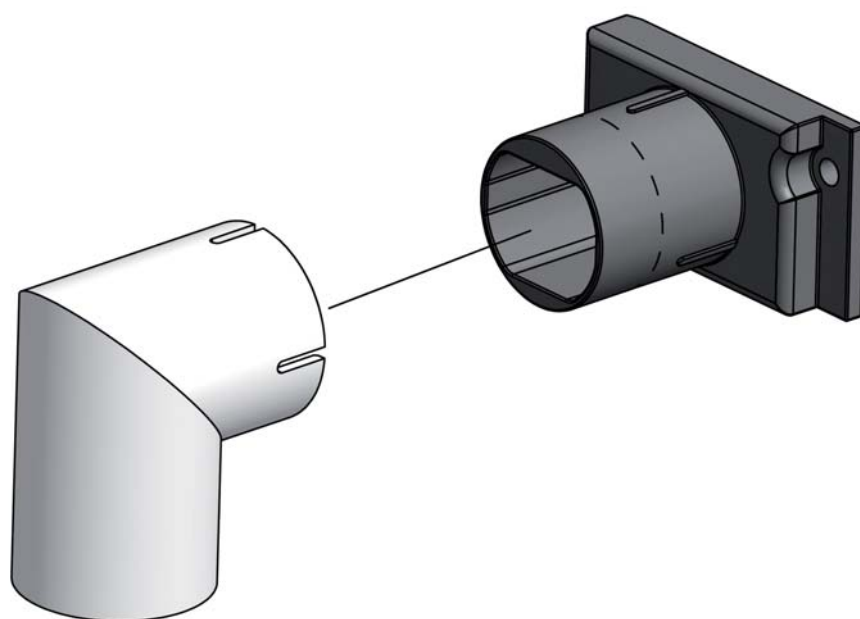
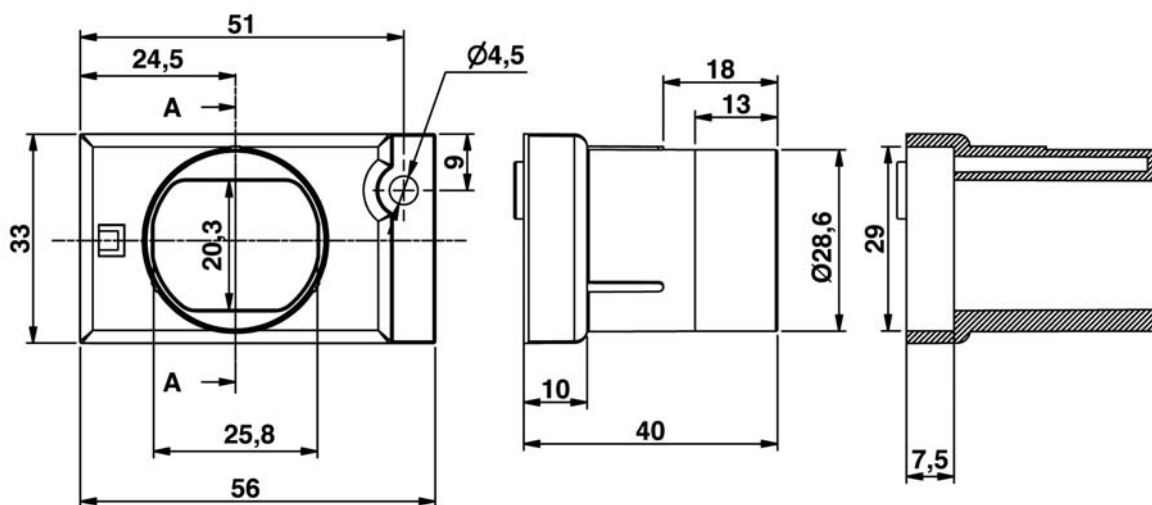


## TIME BASIS DOSER LONG / DOSATORE A TEMPO LUNGO

DISPENSING DIVISION



### CHUTE / PIPA

Available on request