

## MICRODOSING PERISTALTIC PUMPS



**SERIES 620**



**SERIES 621**



**SERIES 622**



**SERIES 62 - HOUSING**

Peristaltic pumps are self-priming devices designed to deliver accurate volumes for a vast range of liquids. Our Series 62 incorporates trimmers for adjusting flow rate and pause cycle time.

### TYPICAL APPLICATIONS

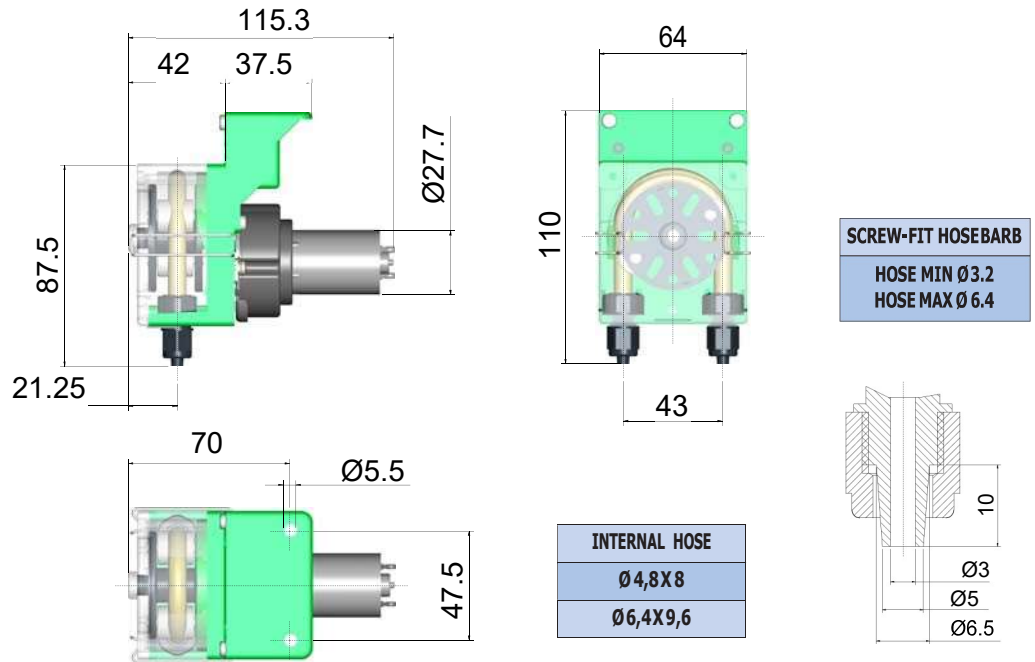
- Food industry
- Chemical industry
- Swimming pools
- Biodosing
- Laboratory and analysis
- Detergency

### FEATURES

- No pump or fluid contamination
- Self-priming, dry running
- Adjustable speed via trimmer setting
- Adjustable dosing time via trimmer setting
- Easy disassembly and assembly of pump
- Easy tube replacement
- Reduced maintenance
- Resistant to a vast range of chemical products
- Reversible rotation (only for 24V DC)
- 2 or 3 roller pump heads, to match your flow and precision needs
- Long life and extra strong Santoprene or silicon squeeze tubing
- Encoder on the motor available

## MICRODOSING PERISTALTIC PUMPS

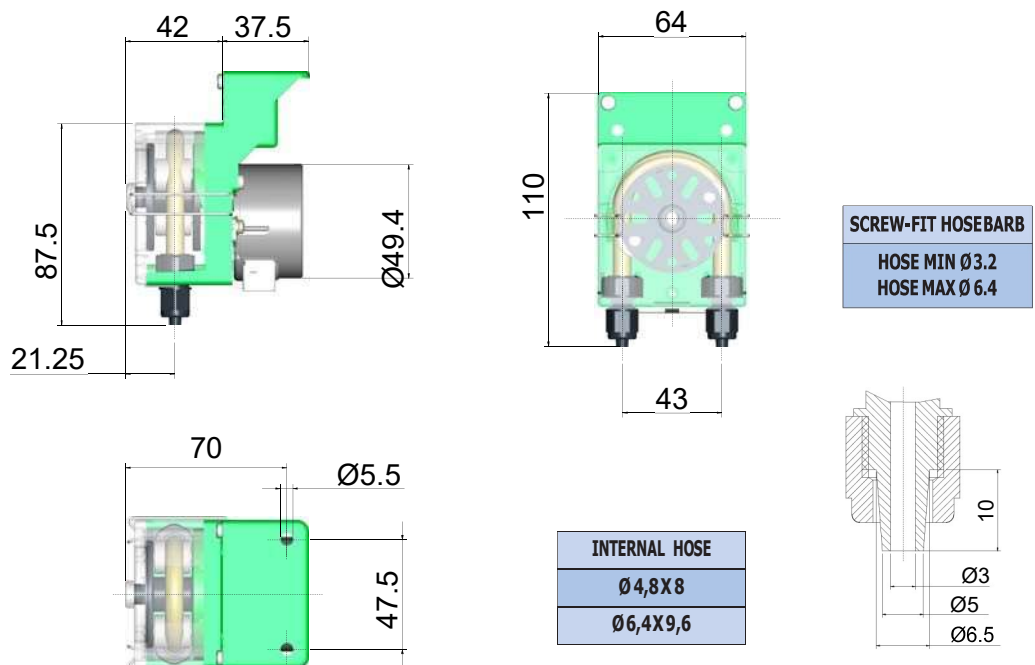
### SERIES 620



### CHARACTERISTICS

- Power supply DC 24 Volt
- Hosing available in silicone or Santoprene (food applications)
- Adjustable speed or dosing time via trimmer setting

### SERIES 621

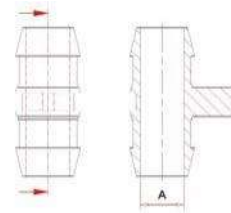
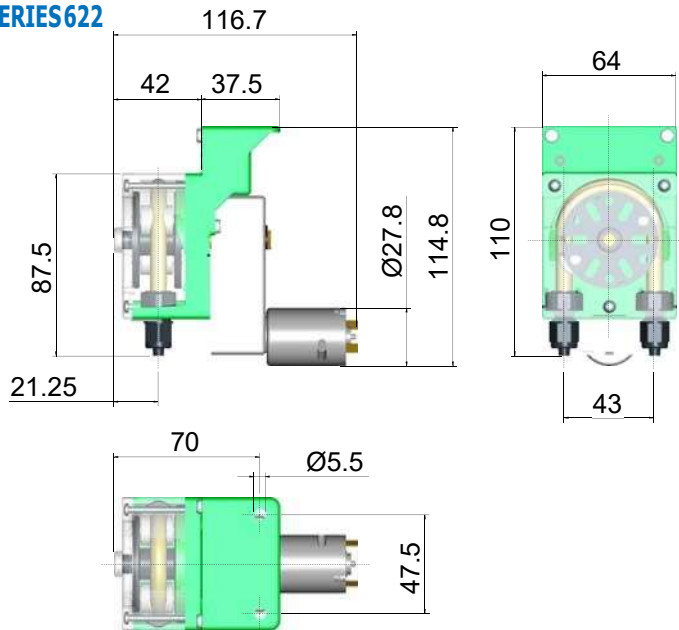


### CHARACTERISTICS

- Power supply AC 230 Volt 50 Hz
- Hosing available in silicone or Santoprene (food applications).
- Adjustable dosing time via trimmer setting

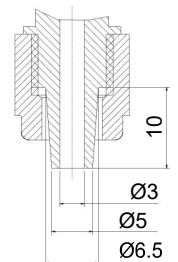
## MICRODOSING PERISTALTIC PUMPS

### SERIES 622



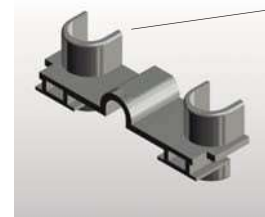
PUSH-ON HOSE BARB	A
ID. 4,8	Ø 6,7
ID. 6,4	Ø 8,7
ID. 8	Ø 10,1

SCREW-FIT HOSE BARB
HOSE MIN Ø3.2
HOSE MAX Ø 6.4



### CHARACTERISTICS

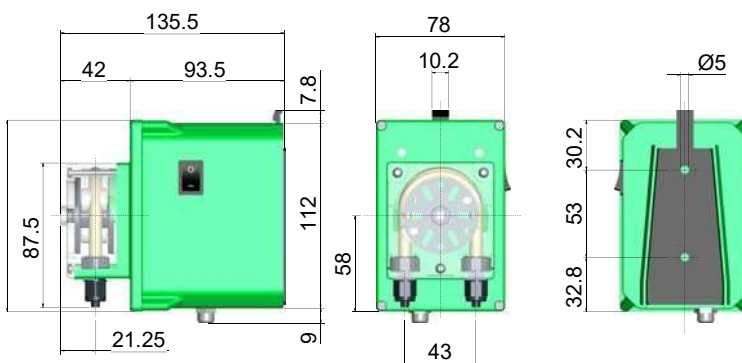
- Power supply DC 12/24 Volt.
- Hosing available in silicone or Santoprene (food applications)
- Adjustable speed or dosing time via trimmer setting



Hose retainers for through type hose configuration

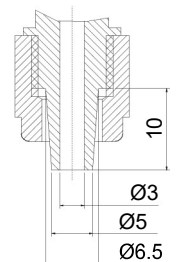
SETTING HOSE
Ø 4,8 X 8
Ø 6,4 X 9,6
Ø 7,5 X 10,7

### SERIES 62 - HOUSING



SCREW-FIT HOSE BARB
HOSE MIN Ø3.2
HOSE MAX Ø 6.4

INTERNAL HOSE
Ø 4,8 X 8
Ø 6,4 X 9,6



### CHARACTERISTICS

- Power supply AC 120/230 Volt 50/60 Hz.
- Hosing available in silicone or Santoprene (food applications).
- Adjustable speed or dosing time via trimmer setting On/OFF switch.
- Easy wall mounting and removing thanks to the fixing bracket
- Reversible rotation switch (optional)
- Footswitch operated (optional)

## MICRODOSING PERISTALTC PUMPS

### TECHNICAL DATA

- The RPMs are for reference only, using water.
- Pump injection in-line pressure: approximately 1 bar

#### SERIES 620 24V DC (ml/min)

Ø HOSE	10RPM	25RPM	48RPM
4,8 X 8,0	32	59	125
6,4 X 9,6	44	84	168

#### SERIES 621 230V AC (ml/min)

Ø HOSE	10RPM	20 RPM
4,8 X 8,0	23	
6,4 X 9,6	33	
6,2 X 10,1		64

#### SERIES 622 12/24V DC (ml/min)

Ø HOSE	30RPM	50RPM	90RPM	145 RPM
4,8 X 8,0*	63	107	160	315
6,4 X 9,6	88	144	210	475
7,5 X 10,7	110	165	300	585

\* SPRING ROLLER VERSION ONLY

#### SERIES 62 - HOUSING (ml/min)

Ø HOSE	10RPM	25RPM	48RPM
4,8 X 8,0	32	59	125
6,4 X 9,6	44	84	168

OTHER VALUES ARE AVAILABLE ON REQUEST.

- Variable output flow-range from 10 ml/min to 585 ml/min
- Hoses and barbs are produced in materials suitable to the contact with foods.
- Compliant with RoHS directive 2011/65/EU

COMPONENTI VENDING S.P.A RESERVE RIGHT TO MODIFY THE PRESENT PRODUCT EVERY MOMENT AND WITHOUT NOTICE.

4 OF 4