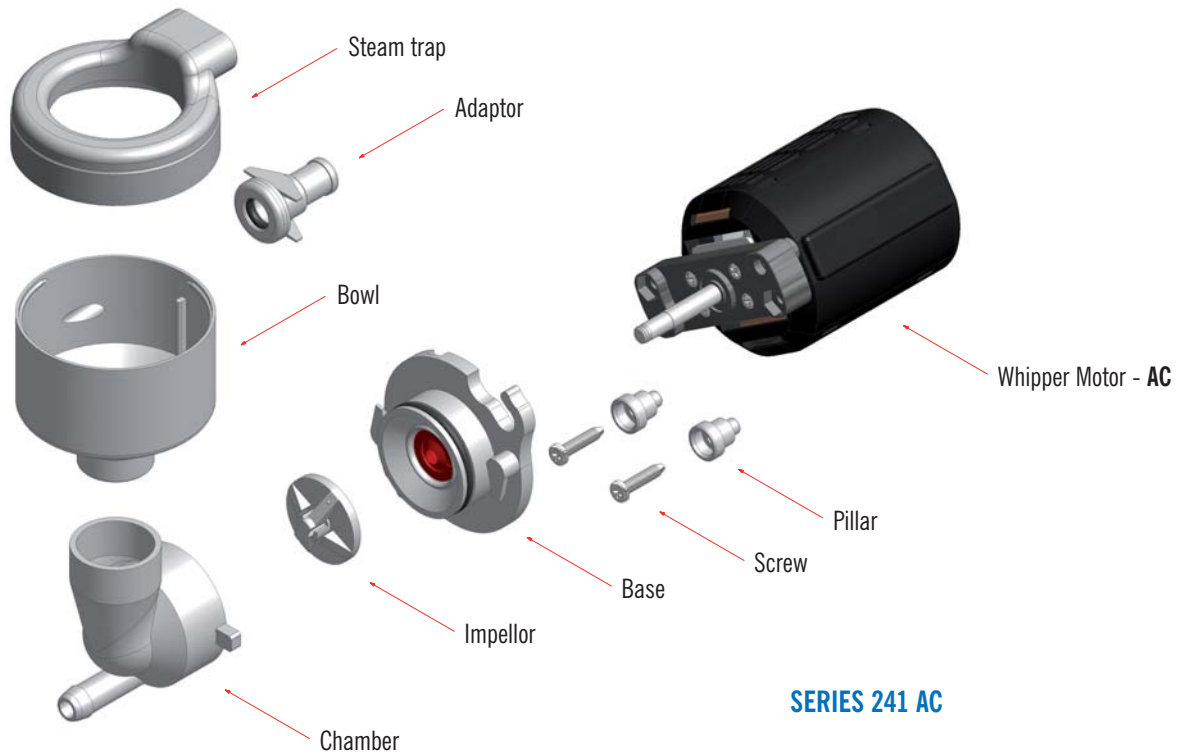
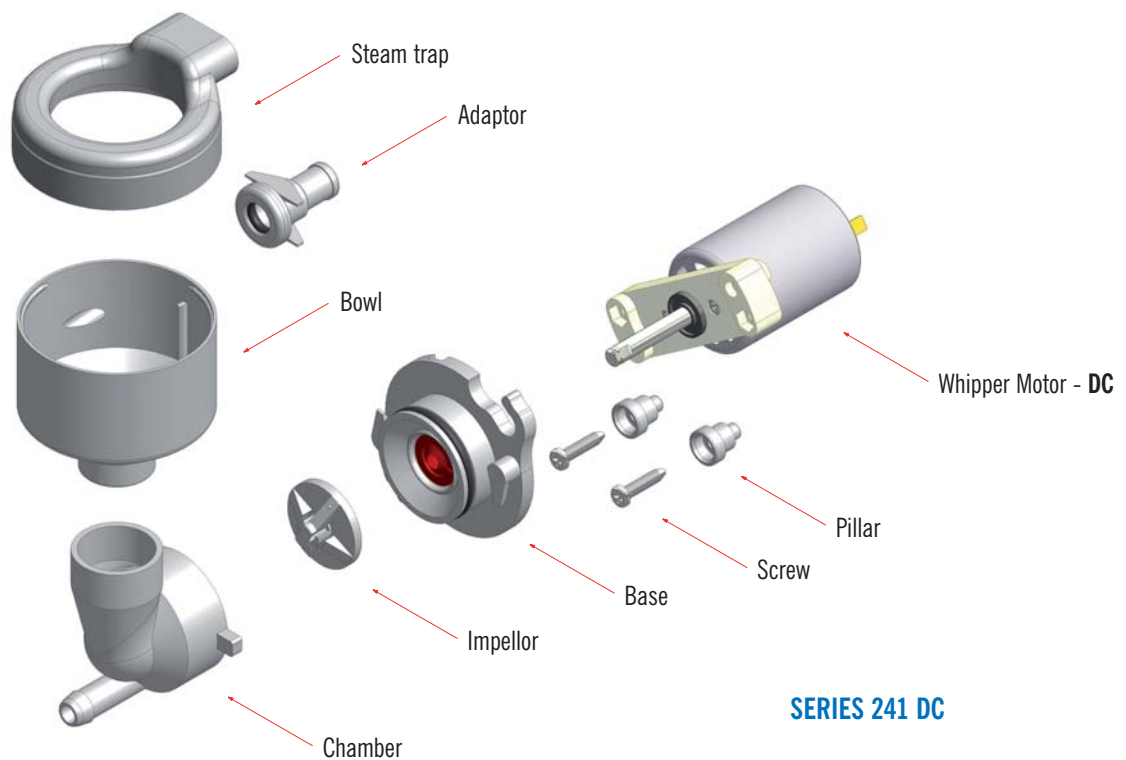


MIXING SYSTEMS



SERIES 241 AC



SERIES 241 DC