

PLASTIC CUP DISPENSER



SERIES 671 DC



SERIES 671 AC

Our cup dispensers Series 671 are automatic devices suitable for dispensing plastic or paper cups. They are available in different versions to dispense different cup sizes.

TYPICAL APPLICATIONS

- Hot and cold beverage vending machines
- In Cup machines
- Food industry

CHARACTERISTICS

SERIES 671

Compact dimensions and assembly simplicity

It can dispense:

- Cups Ø 70
- Cups Ø 73
- Cups Ø 78

Power supply:

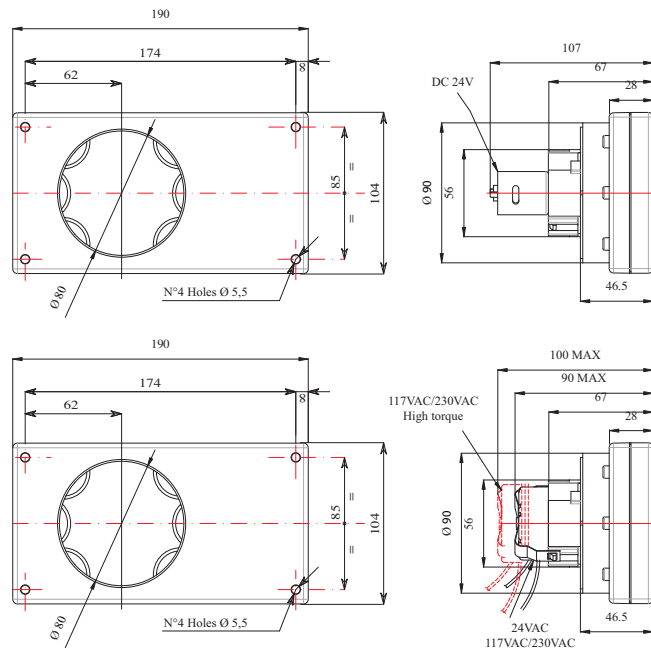
- 24V DC/AC
- 117V AC 50/60 Hz
- 230V AC 50/60 Hz

Cup splitter is detected by micro-switch.

COMPONENTI VENDING S.P.A. RESERVE RIGHT TO MODIFY THE PRESENT PRODUCT EVERY MOMENT AND WITHOUT NOTICE.

1 OF 2

PLASTIC CUP DISPENSER



TECHNICAL DATA

- Ambient temperature 4° to 40°C
- Certified UL/VDE microswitches are available on request
- Compliant with RoHS directive 2011/65/EU