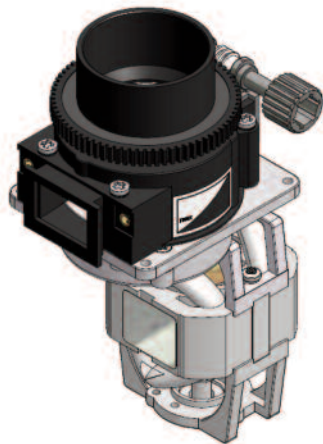


COFFEE GRINDERS



SERIE 252 AC-230V
SERIE 252 AC-117V



SERIE 252 DC-24V

Our Coffee grinders Series 252 are devices suitable for grinding coffee beans with the possibility of regulating the desired grain (fine or coarse) according to requirements. The ground coffee dose can be dispensed on a time basis or by means of an our volumetric doser [Series 253](#). All of these coffee grinders can be mounted to Coffee bean containers [Series 29X](#).

TYPICAL APPLICATIONS

- Hot beverage vending machines
- Ground coffee dispensers
- Coffee machines

CHARACTERISTICS

SERIE 252 AC-230V **SERIE 252 AC-117V**

- Power supply: AC 230 V - AC 117 V
- Absorption (work load, for medium grinding): 103W-0.46A - 110W-0.95A
- Starting current (load): 3.4 A - 6.1 A
- Thermal protector: 100° C
- Possibility of dispensing on a time basis or by means of a volumetric doser
- Conical mill Ø48

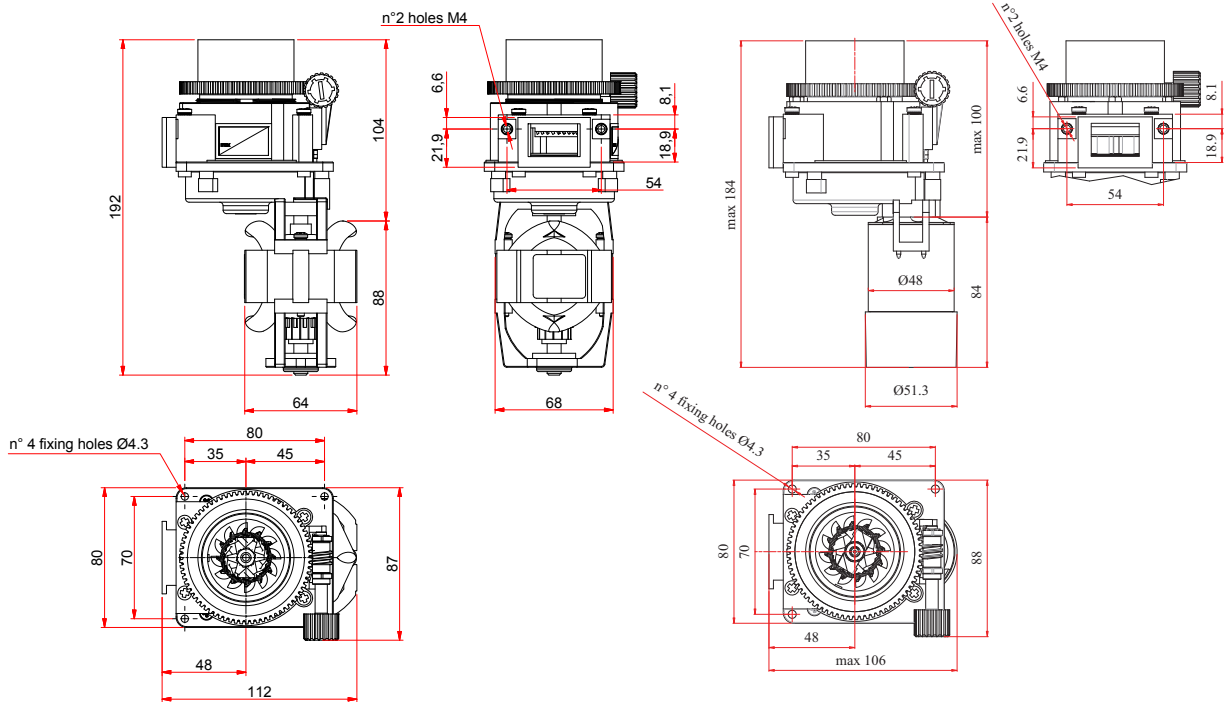
SERIES 252 DC 24V

- Power supply: DC 24V
- Absorption (work load, for medium grinding): 4A-96W
- Possibility of dispensing on a time basis or by means of a volumetric doser
- Conical mill Ø48

COMPONENTI VENDING S.PA RESERVE RIGHT TO MODIFY THE PRESENT PRODUCT EVERY MOMENT AND WITHOUT NOTICE.

1 OF 2

COFFEE GRINDERS



SERIE 252 AC-230V
SERIE 252 AC-117V

SERIES 252 DC-24V

TECHNICAL DATA

- Grain size from fine to coarse
- Ambient temperature 4 to 40°C
- The manufacturing materials used for contact with coffee are suitable for the specific alimentary use
- Compliant with RoHS directive 2011/65/EU