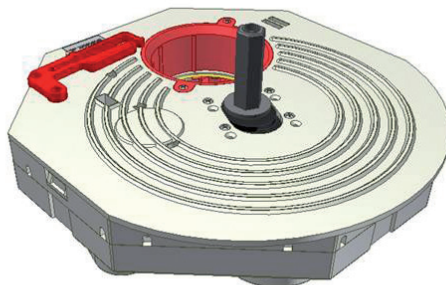


PLASTIC CUP DISPENSER



SERIES 678

Our cup dispensers Series 678 are automatic devices suitable for dispensing plastic or paper cups and in-cup units. They are available in different versions to dispense different cup sizes. This device can be mounted to our Cup turret [Series 286](#).

TYPICAL APPLICATIONS

- Hot and cold beverage vending machines
- In Cup machines
- Food industry

CHARACTERISTICS

SERIES 678

Compact dimensions and versatile mounting possibilities (eight different positions). Easy disassembly and assembly of internal cams to dispense different cup sizes.

It can dispense:

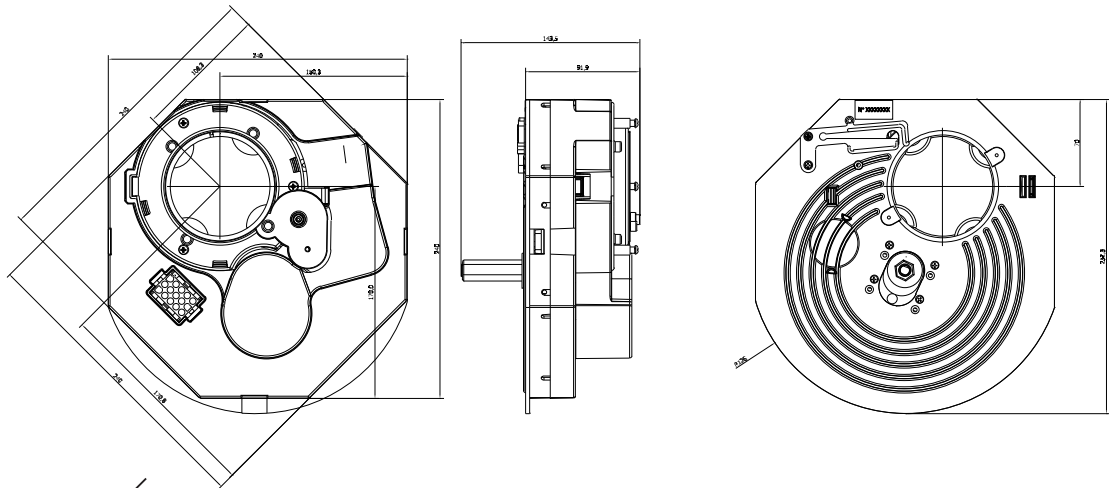
- Cups Ø 70
- Cups Ø 73
- Cups Ø 78
- Cups Ø 80
- Cups Ø 73 for In Cup Machines

Power supply:

- 24V DC

Cup splitter, and cup turret position are detected by micro-switches. Cup presence is detected by micro-switch or optical sensor.

PLASTIC CUP DISPENSER



SERIES 678

Eight different fixing positions

TECHNICAL DATA

- Ambient temperature 4° to 40°C
- Certified VDE microswitches are available on request
- Compliant with RoHS directive 2011/65/EU