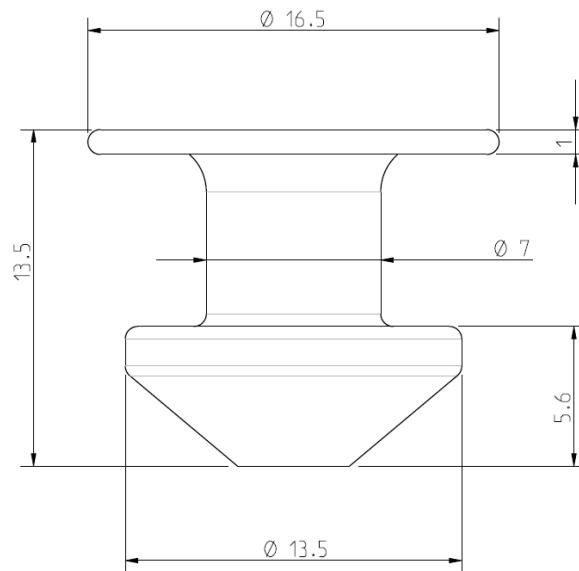


## HIGH SCALE CONICAL SEAL



FLUID DIVISION

### CHARACTERISTICS AND TECHNICAL DATA

- Designed for high scale applications
- Can be used on solenoid valves series 4xx and 5xx.
- Silicon material 50 Shore with food contact certification
- RoHS 2011/65/EU Compliant



**FOOD CONTACT  
(MOCA)**

Regulation EC No 1935/2004

Regulation EC No 10/2011

Regulation EC No 2023/2006

Materials food  
migration tested by



COMPONENTI VENDING S.P.A. RESERVE RIGHT TO MODIFY THE PRESENT PRODUCT EVERY MOMENT AND WITHOUT NOTICE.

Componenti Vending S.p.A. Via E. Mattei, snc - 27022 Casorate Primo (PV) - Italy

■ telephone +39.02.908.49.637 ■ fax +39.02.908.49.642

■ info@compo.it ■ www.compo.it

**AZIENDA CON SISTEMA  
DI GESTIONE QUALITÀ  
CERTIFICATO DA DNV GL  
= ISO 9001 =**