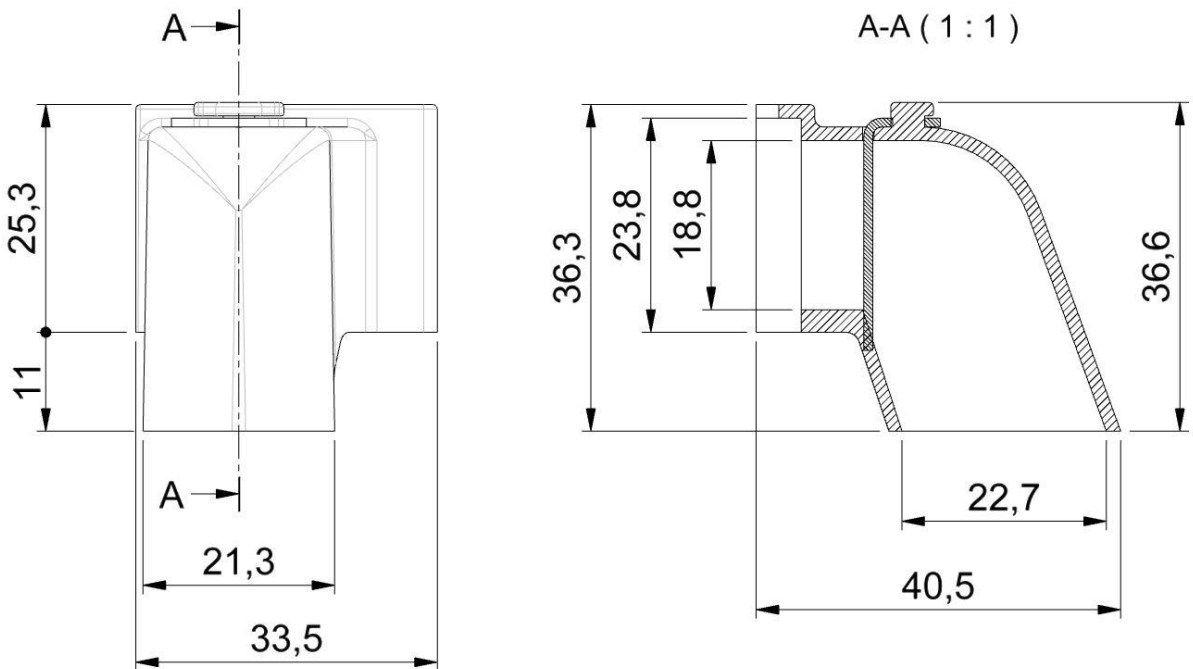


COFFEE TECHNOLOGY



FOR GRINDER SERIES 257 ONLY

